

## 2311 Avtainer

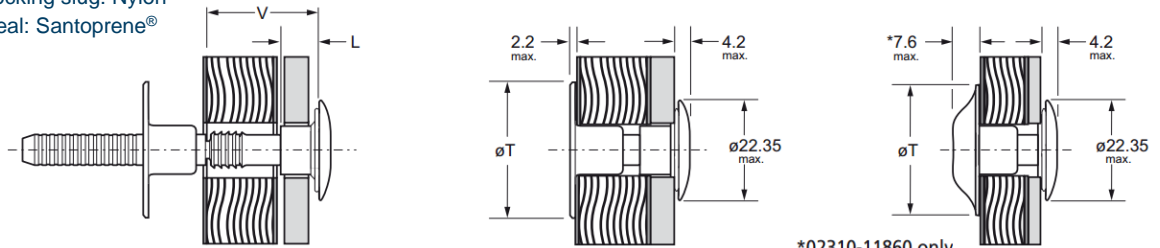
Steel - Low profile head  
10.0 mm (3/8")

### Features

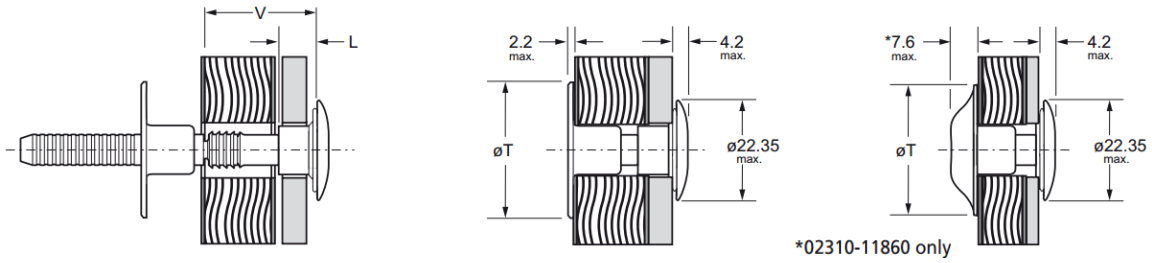
- High strength, steel fastener and shell designed for high strength assembly and for joining composite panels to metal
- Prevents cracking and pull through of composite materials
- Ideal for the assembly of GRP vehicle panels
- Underhead Santoprene® seal for a water/air tight joint
- Internally locked stem provides a secure, vibration resistant joint
- Low profile head and shell give a neat appearance
- Smaller shell size available for use against metal surfaces
- Optional encapsulated heads to match the surrounding colour
- Easy to inspect for tampering
- High security tamper resistance - TIR approved

### Material

- Pin: Low carbon steel, zinc plated, JS500 coated
- Shell: Low carbon steel, zinc plated, clear trivalent passivated
- Locking slug: Nylon
- Seal: Santoprene®

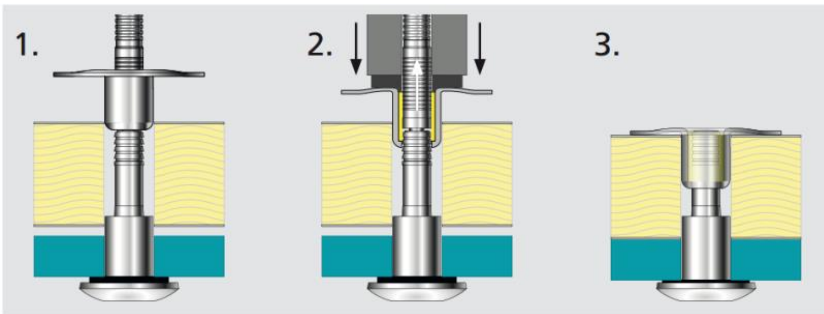


Part No. Pin	Collar		Size ø	Grip Range		Hole Size	V	L	kN	kN			
	øT	Part No.		nom.	min.					max.	(e min)	(e max)	
02311-01207 <sup>(2)</sup>	30.5	02310-11860	10.0 (3/8")	5.60	7.20	10.3 - 10.7 <sup>(5)</sup>	11.1	-	2.22 <sup>(1)</sup>	6.60 <sup>(1)</sup>	4.44 <sup>(1)</sup>		
02311-01208 <sup>(2)</sup>				11.13	14.30		12.7	-					
02311-01209 <sup>(2)</sup>				12.70	15.87		14.3	-					
02311-01210 <sup>(2)</sup>				14.27	17.45		15.9	-					
02311-01211				15.87	19.05		17.5	4.6					
02311-01212				17.45	20.62		19.0	6.1					
02311-01213				19.05	22.22		20.6	7.9					
02311-01214				20.62	23.80		22.2	9.4					
02311-01215				22.22	25.40		23.8	10.9					
02311-01216				22.9	02325-01200 <sup>(4)</sup>		23.80	26.97				25.4	12.5
02311-01217				25.40	28.57		27.0	14.2					
02311-01218				26.97	30.15		28.6	14.2					
02311-01219				28.57	31.75		30.2	14.2					
02311-01220				30.15	33.32		31.7	14.2					
02311-01221				31.75	34.92		33.3	14.2					
02311-01222				33.32	36.50		34.9	14.2					
02311-01223	34.93	38.10	36.5	14.2									
02311-01224	36.50	39.67	38.1	14.2									



- 1) Typical values.
- 2) Part numbers -01207, -01208, -01209 & -01210 do not have shouldered pins.
- 3) 02321-01200: The larger shell assembly is for use against softer material, spreading the bearing load.
- 4) 02325-01200: The smaller shell assembly should only be used against metal surfaces.
- 5) Where shells are used against metal surfaces, the hole through the metal should be 15 mm diameter or chamfered 2.5 mm x 45°.

### Placing Sequence



### Assembly Applications

- Commercial vehicles
- Container

